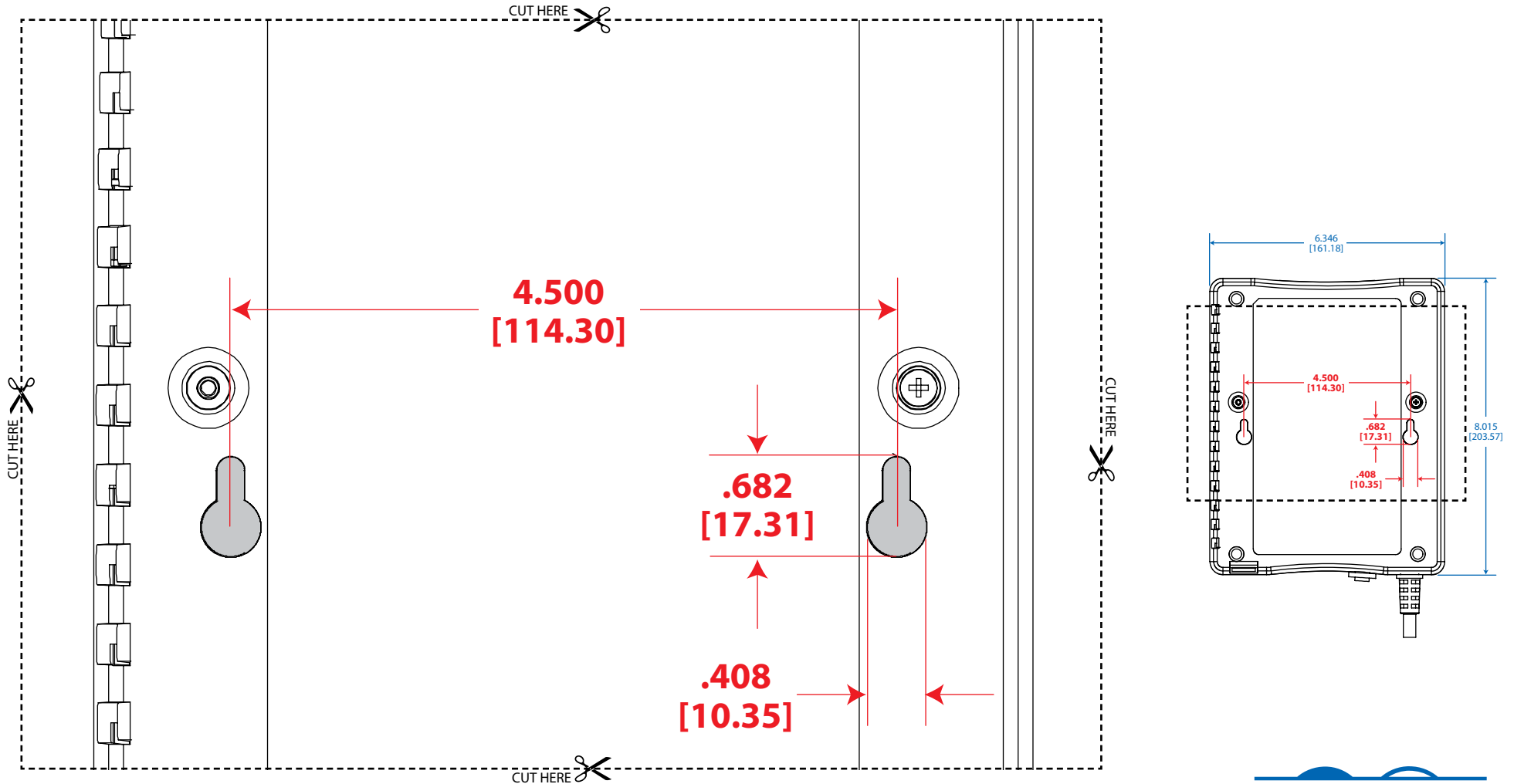


Mounting Template for Tripp Lite UPS System Models:

INTERNET350U, INTERNET350SER, ECO350UPS and BC350

Note: This graphic represents actual-sized center-to-center spacing for drilling holes to mount the unit. This portion can be printed and cut out to use as a template for mounting purposes. In your PDF print setup menu, be sure to turn the Page Scaling feature OFF or set to NONE, to insure proper measurements.



Refer to the full product drawing for measurements of the entire unit in relation to the cut out holes and determine where to place your template for proper mounting.

Dimensions: [mm] INCHES

Tripp Lite has a policy of continuous improvement. Specifications are subject to change without notice.



1111 W. 35th Street
Chicago, IL 60609 USA
773.869.1234
www.tripplite.com