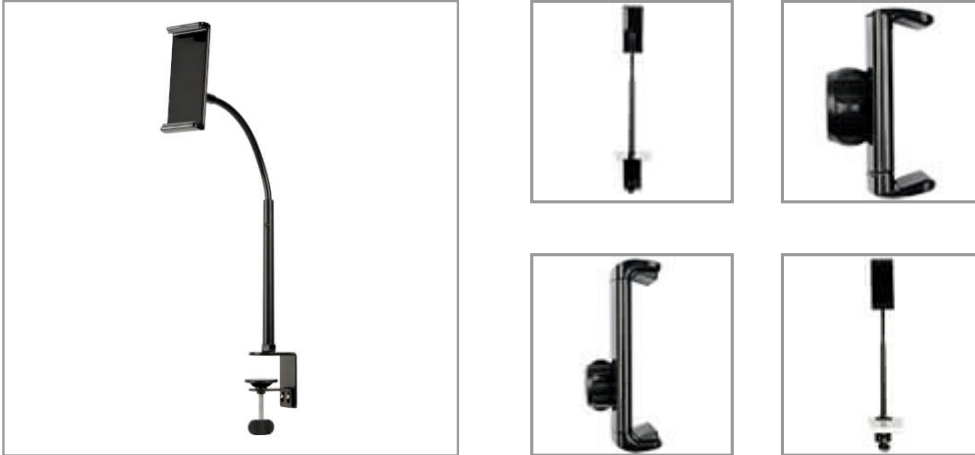


Full Motion Universal Tablet and Phone Desk Clamp

MODEL NUMBER: **DDR0310SC**



Highlights

- Durable clamp attaches to most flat surfaces
- 3 separate holders fit most devices from 3.5 to 10 in.
- Rotates 360° for portrait or landscape orientation
- Supports up to 2.2 lbs (1 kg)

Package Includes

- DDR0310SC Full Motion Universal Tablet and Phone Desk Clamp
- Owner's manual

Mounts your tablet or smartphone off the surface of your desk, table or workstation to free up valuable space. Ideal for home or office use.

Description

The DDR0310SC Full Motion Universal Tablet and Phone Desk Clamp attaches to your desk, table or workstation, allowing you to mount your tablet or smartphone above it and free up valuable workspace. Durable clamp attaches to most flat surfaces up to 1.7 inches thick for a firm grip. Flexible tube bends easily to adjust your device's angle and height to fit your environment and comfort level. Includes three separate holders that fit most smartphones and tablets from 3.5 to 10 inches. Rotates 360°, so you can view your device in portrait or landscape orientation. Easy installation in seconds with no tools necessary. Supports devices up to 2.2 lbs (1 kg).

Features

Attaches to Most Desks, Tables and Workstations

- Clamps securely to most flat surfaces up to 1.7 in.
- Fits most smartphones and tablets from 3.5 to 10 in.
- Flexible tube bends easily to adjust your device to a comfortable viewing angle
- Full 360° rotation for viewing in portrait or landscape orientation

Installs in Seconds

- No tools necessary
- Includes 3 separate holders to fit devices of various sizes
- Supports up to 2.2 lbs (1 kg)

Specifications



Powering Business Worldwide



UPC Code	037332183620
Device Compatibility	Tablet; Phone
PHYSICAL	
Color	Black
Material of Construction	Steel
Motion	Full
Mounting Location	Desk Clamp
Degrees of Motion	360 Rotate
Minimum Screen Size (in.)	3.5
Minimum Screen Size (cm)	8.89
Maximum Screen Size (in.)	10
Maximum Screen Size (cm)	25.4
Maximum Weight Capacity (lbs.)	2.2
Maximum Weight Capacity (kg)	1
Shipping Dimensions (hwd / in.)	3.38 x 3.23 x 14.96
Shipping Dimensions (hwd / cm)	8.59 x 8.20 x 38.00
Shipping Weight (lbs.)	2.30
Shipping Weight (kg)	1.04
Unit Dimensions (hwd / in.)	19.690 x 7.500 x 2.820
Unit Dimensions (hwd / cm)	50.01 x 19.05 x 7.16
Unit Weight (lbs.)	1.60
Unit Weight (kg)	0.73
FEATURES & SPECIFICATIONS	
Cord Management	No
Tools Necessary	No
WARRANTY & SUPPORT	
Product Warranty Period (Worldwide)	5-year limited warranty

1000 Eaton Boulevard
 Cleveland, OH 44122
 United States
<https://triplite.eaton.com>

© 2024 Eaton. All Rights Reserved.
 Eaton is a registered trademark. All other trademarks
 are the property of their respective owners.