

Quick Start Guide

SFP+ Passthrough Connectivity Hub

Model: N484-12SFP-K

Package Contents

- N484-12SFP-K
- QSFP+ 40GbE to (x4) SFP+ 10GbE Breakout Cable – (x6)
- Quick Start Guide

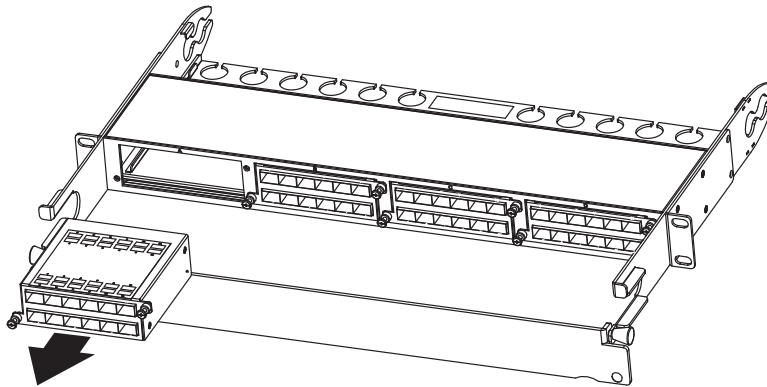
Optional Accessories

- N484-01U High Density Copper/Fiber Panel, 1U, 4-Cassette Capacity
- N280-Series SFP+ 10Gbase-CU Passive Twinax Copper Cables

Inserting/Removing Cassettes

Note: The N484-12SFP-K is only recommended for use with the N484-01U enclosure panel. Although the N484-12SFP-K cassette will physically fit in the N484-00U enclosure panel, the combined weight of the cassette and all connected cables will exceed the holding support of the N484-00U's mounting magnets.

Line up the N484-12SFP-K cassette with the corresponding slot on the N484-01U enclosure panel and insert the cassette into the slot. Then tighten the thumbscrews to secure it into place. To remove a cassette, unscrew the thumbscrews to release it from the enclosure panel. Up to four N484-12SFP-K cassettes can be added to a N484-01U chassis.



PROTECT YOUR INVESTMENT!

Register your product for quicker service and ultimate peace of mind.

You could also win an ISOBAR6ULTRA surge protector—a \$50 value!

www.tripplite.com/warranty

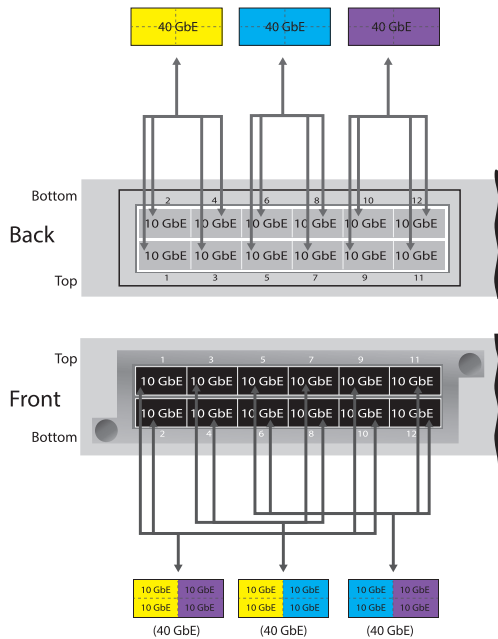


1111 W. 35th Street, Chicago, IL 60609 USA • www.tripplite.com/support

Copyright © 2015 Tripp Lite. All rights reserved.

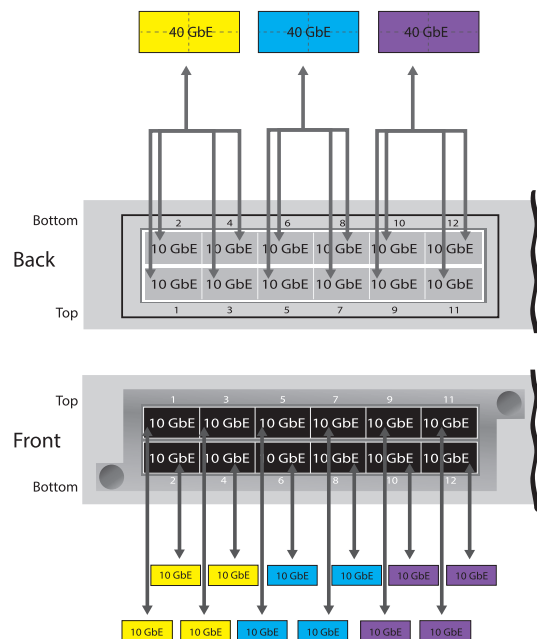
Distributed Redundancy Application Diagram

The N484-12SFP-K is a SFP+ Passthrough Connectivity Hub that comes with six QSFP+ 40GbE to (x4) SFP+ 10GbE breakout cables. It distributes and shuffles QSFP+ 40GbE ports on your primary core devices into four separate SFP+ 10GbE lanes. Breakout cables on the other end of the hub connect to the QSFP+ 40GbE ports on your secondary access devices. Connecting both sets of breakout cables into both sides of the hub with the separate SFP+ 10GbE lanes creates redundant 40GbE paths between the core and access devices. The diagram below shows three core devices with separate QSFP+ 40GbE ports being connected into the hub from the back side. On the front side, the breakout cables are shuffled and connected into the hub, creating distributed redundant 40GbE paths between the primary core and secondary access devices. Up to four N484-12SFP-K units can be added to a single N484-01U chassis for a more expansive configuration.



Breakout Application Diagram

The N484-12SFP-K can also be used to break out the QSFP+ 40GbE ports on network devices to route the network signal to separate SFP+ 10GbE ports on switches and/or servers. In this case, use standard SFP+ DAC cables (such as Tripp Lite N280-Series) on the other end of the cassette instead of the included breakout cables.



Warranty and Product Registration

1-Year Limited Warranty

TRIPP LITE warrants its products to be free from defects in materials and workmanship for a period of one (1) year from the date of initial purchase. TRIPP LITE's obligation under this warranty is limited to repairing or replacing (at its sole option) any such defective products. To obtain service under this warranty, you must obtain a Returned Material Authorization (RMA) number from TRIPP LITE or an authorized TRIPP LITE service center. Products must be returned to TRIPP LITE or an authorized TRIPP LITE service center with transportation charges prepaid and must be accompanied by a brief description of the problem encountered and proof of date and place of purchase. This warranty does not apply to equipment, which has been damaged by accident, negligence or misapplication or has been altered or modified in any way.

EXCEPT AS PROVIDED HEREIN, TRIPP LITE MAKES NO WARRANTIES, EXPRESS OR IMPLIED, INCLUDING WARRANTIES OF MERCHANTABILITY AND FITNESS FOR A PARTICULAR PURPOSE.

Some states do not permit limitation or exclusion of implied warranties; therefore, the aforesaid limitation(s) or exclusion(s) may not apply to the purchaser.

EXCEPT AS PROVIDED ABOVE, IN NO EVENT WILL TRIPP LITE BE LIABLE FOR DIRECT, INDIRECT, SPECIAL, INCIDENTAL OR CONSEQUENTIAL DAMAGES ARISING OUT OF THE USE OF THIS PRODUCT, EVEN IF ADVISED OF THE POSSIBILITY OF SUCH DAMAGE. Specifically, TRIPP LITE is not liable for any costs, such as lost profits or revenue, loss of equipment, loss of use of equipment, loss of software, loss of data, costs of substitutes, claims by third parties, or otherwise.

Use of this equipment in life support applications where failure of this equipment can reasonably be expected to cause the failure of the life support equipment or to significantly affect its safety or effectiveness is not recommended. Do not use this equipment in the presence of a flammable anesthetic mixture with air, oxygen or nitrous oxide.

PRODUCT REGISTRATION

Visit www.tripplite.com/warranty today to register your new Tripp Lite product. You'll be automatically entered into a drawing for a chance to win a FREE Tripp Lite product!*

* No purchase necessary. Void where prohibited. Some restrictions apply. See website for details.

Tripp Lite has a policy of continuous improvement. Specifications are subject to change without notice.

