

Instruction Sheet

2U Cantilever Fixed Shelves for 2-Post Racks

Model: SRSHELF2PX2

PROTECT YOUR INVESTMENT!

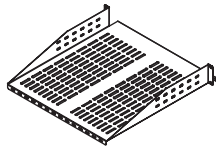
Register your product for quicker service and ultimate peace of mind.

You could also win an ISOBAR6ULTRA surge protector—a \$50 value!

www.tripplite.com/warranty



Parts List



SRSHELF2PX2

x2



12-24 x 5/8 Screw

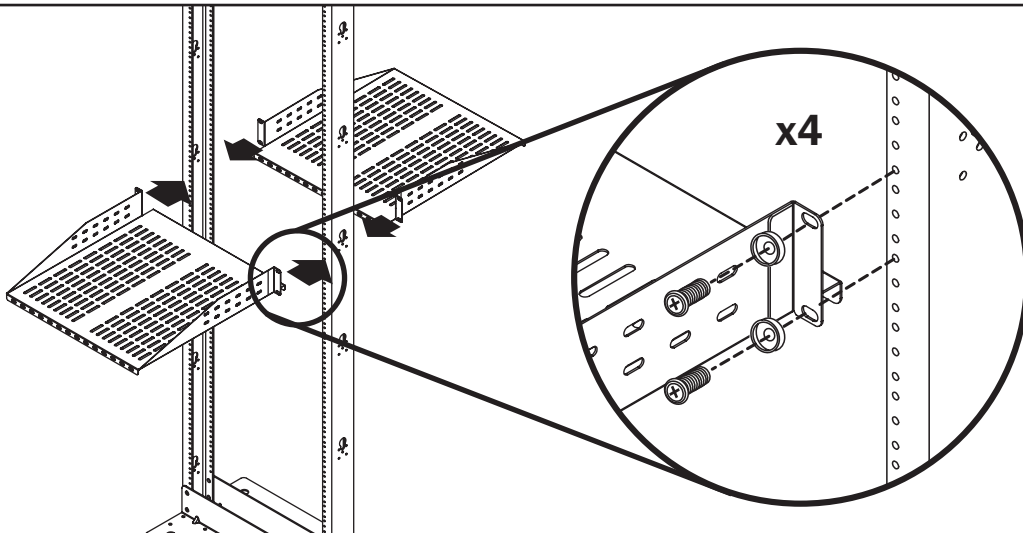
x8



Cup Washer

x8

Installation



Tripp Lite has a policy of continuous improvement. Product specifications are subject to change without notice.



1111 W. 35th Street, Chicago, IL 60609 USA • www.tripplite.com/support

Copyright © 2014 Tripp Lite. All trademarks are the sole property of their respective owners.