

Owner's Manual

Protect It![®] Surge Protector with Dedicated USB Charging Ports

Model: TLP26USBB

Important Safety Instructions	2
Product Description	2
Product Features	2
Installation	3
Lifetime Limited Warranty	3
Warranty Registration	3
Ultimate Lifetime Insurance Policy	4
Español	5
Français	8

PROTECT YOUR INVESTMENT!

Register your product for quicker service
and ultimate peace of mind.

You could also win an
ISOBARGULTRA surge protector—
a \$50 value!



www.tripplite.com/warranty



1111 W. 35th Street Chicago, IL 60609 USA • www.tripplite.com/support

Copyright © 2014. All rights reserved. Protect It![®] is a registered trademark of Tripp Lite.

Important Safety Instructions



SAVE THESE INSTRUCTIONS

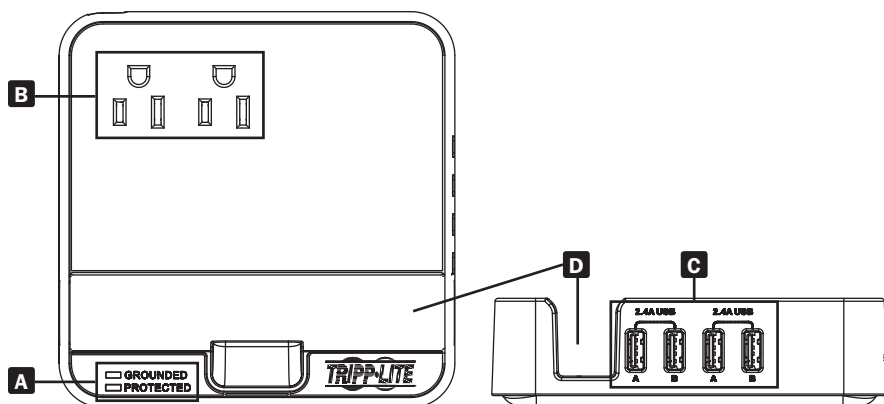
CAUTION! DO NOT connect to an ungrounded outlet. DO NOT use with 2-wire extension cords or adapters. This surge protector is designed for indoor use only. Install the surge protector away from heat-emitting appliances such as radiators or heat registers. Do not install where excessive moisture is present. Do not plug extension cords into it. Never install electrical, telephone, network or coaxial wiring during a lightning storm. Do not drill into any part of the housing or open the housing for any reason. There are no user-serviceable parts inside.

- Use of this equipment in life support applications where failure of this equipment can reasonably be expected to cause the failure of the life support equipment or to significantly affect its safety or effectiveness is not recommended. Do not use this equipment in the presence of a flammable anesthetic mixture with air, oxygen or nitrous oxide.

Product Description

The TLP26USBB Protect It!® Desktop Surge Protector includes two unswitched power receptacles and four USB charging ports in a small, compact design. A built-in cradle provides upright support to a tablet or smartphone while it charges for convenient access.

Product Features



Top of Unit

Side of Unit

- A LED Indicators:** GROUNDED illuminates red when the unit is connected to a properly grounded outlet. PROTECTED illuminates green when the unit is actively protecting connected components from transient surges.
- B NEMA 5-15R Outlets:** Two unswitched outlets provide power and surge protection to devices with conventional power plugs.
- C USB Charger Ports:** Four USB ports are arranged in two sets of two. Each set of ports is capable of providing 2.4 amps of charging power to tablets, smartphones, MP3 players and other personal electronic devices.
- D Device Cradle:** A recessed cradle section allows for convenient tablet or smartphone placement within the unit while it is connected to a USB Charger Port.

Installation

Connect Your Surge Protector to the AC Power Line: Plug the surge protector's power cord into a standard, 3-wire grounded 120V AC outlet.

Check Your Surge Protector's Diagnostic Indicator Lights Prior to Connecting Equipment:

The diagnostic LEDs will indicate various operating conditions when the surge protector is plugged into a live 120V AC outlet.

"PROTECTED" LED: Indicates the surge suppression components are intact and providing complete protection against surges. If this LED does not illuminate, some of the surge suppression components are not functioning, and the unit should be replaced. Visit www.tripplite.com/support.

"GROUNDED" LED: Indicates wall outlet is grounded and surge protection can properly function. If this light DOES NOT illuminate and power is present, consult a qualified electrician to examine your outlet's wiring.

Connect Your Equipment to the Surge Protector's AC Outlets: Plug your equipment's power cords (including 2-wire devices) into the surge protector's AC outlets. DO NOT plug in extension cords. DO NOT OVERLOAD the surge protector's outlets. The surge protector can accommodate a total equipment load of up to 15 amps (whether plugged into a single outlet or spread out over both outlets).

Lifetime Limited Warranty

Seller warrants this product, if used in accordance with all applicable instructions, to be free from original defects in material and workmanship for its lifetime. If the product should prove defective in material or workmanship within that period, Seller will repair or replace the product, in its sole discretion. Service under this Warranty can only be obtained by your delivering or shipping the product (with all shipping or delivery charges prepaid) to: Tripp Lite, 1111 W. 35th St., Chicago, IL 60609. Seller will pay return shipping charges.

The warranties of all TRIPP LITE surge protectors are null and void if they have been connected to the output of any UPS system. The warranties of all TRIPP LITE UPS Systems are null and void if a surge protector has been connected to its output receptacles. THIS WARRANTY DOES NOT APPLY TO NORMAL WEAR OR TO DAMAGE RESULTING FROM ACCIDENT, MISUSE, ABUSE OR NEGLIGENCE. SELLER MAKES NO EXPRESS WARRANTIES OTHER THAN THE WARRANTY EXPRESSLY SET FORTH HEREIN. EXCEPT TO THE EXTENT PROHIBITED BY APPLICABLE LAW, ALL IMPLIED WARRANTIES, INCLUDING ALL WARRANTIES OF MERCHANTABILITY OR FITNESS, ARE LIMITED IN DURATION TO THE WARRANTY PERIOD SET FORTH ABOVE; AND THIS WARRANTY EXPRESSLY EXCLUDES ALL INCIDENTAL AND CONSEQUENTIAL DAMAGES. (Some states do not allow limitations on how long an implied warranty lasts, and some states do not allow the exclusion or limitation of incidental or consequential damages, so the above limitations or exclusions may not apply to you. This Warranty gives you specific legal rights, and you may have other rights which vary from jurisdiction to jurisdiction.)

WARNING: The individual user should take care to determine prior to use whether this device is suitable, adequate or safe for the use intended. Since individual applications are subject to great variation, the manufacturer makes no representation or warranty as to the suitability or fitness of these devices for any specific application.

The policy of Tripp Lite is one of continuous improvement. Specifications are subject to change without notice.

Regulatory Compliance Identification Numbers

For the purpose of regulatory compliance certifications and identification, your Tripp Lite product has been assigned a unique series number. The series number can be found on the product nameplate label, along with all required approval markings and information. When requesting compliance information for this product, always refer to the series number. The series number should not be confused with the marketing name or model number of the product.

Warranty Registration

Visit www.tripplite.com/warranty today to register the warranty for your new Tripp Lite product. You'll be automatically entered into a drawing for a chance to win a FREE Tripp Lite product!*

* No purchase necessary. Void where prohibited. Some restrictions apply. See website for details.

Ultimate Lifetime Insurance Policy

This is a limited warranty valid in the U.S. and Canada only.

Tripp Lite warrants, for the lifetime of the product, (at Tripp Lite's option) to repair or replace (on a pro rata basis) directly connected equipment that is damaged due to power transients while properly connected to Tripp Lite products offering the Ultimate Lifetime Insurance Policy. Power transients include spikes and surges on the AC power, data or telephone lines that the Tripp Lite products have been designed to protect against (as recognized by industry standards). The following four paragraphs are conditions that must be complied with before the warranty becomes valid; failure to comply with these requirements will void the warranty.

AC Power Line Transients: To claim damages, the Tripp Lite product must be plugged into a properly wired and grounded outlet. No extension cords or other electrical connections may be used. The installation must comply with all applicable electrical and safety codes set forth by the National Electrical Code (NEC). Except as provided above, this warranty does not cover any damage to properly connected electronic equipment resulting from a cause other than an "AC power transient". If user meets all of the above requirements, Tripp Lite will repair or replace (at Tripp Lite's option) equipment up to the specified value (See Ultimate Lifetime Insurance Policy Limits). No coverage is allowed for damage entering from telephone or data lines, unless they are separately protected, as described below.

Telephone and Data Line Transients: Tripp Lite will repair or replace directly connected equipment that is damaged by transients on telephone and/or data lines only when all such paths are protected by a Tripp Lite protection product(s) and the AC power (utility) line is simultaneously protected by a Tripp Lite power protection device (UPS, surge suppressor or line conditioner) with Ultimate Lifetime Insurance coverage. Additional telephone and/or data line connected devices downstream must have their own telephone and/or dataline protectors.

Reimbursement dollar limits will be equal to that of the Tripp Lite power protection protector. Coverage is excluded where a suitable environment for the protection device is not provided, including, but not limited to, lack of a proper safety ground. Telephone service equipment must also include a properly installed and operating "primary protection" device at the telephone service entrance (such devices are normally added during telephone line installation).

All above warranties are null and void if the Tripp Lite product has been improperly installed, tampered with or altered in any way, or if the connected equipment was not used under normal operating conditions or in accordance with any labels or instructions. All claims under this warranty must be submitted in writing to Tripp Lite within 30 days of the occurrence or the claim will not be considered. This warranty does not include damage resulting from accident or misuse, and applies to the domestic (USA & Canada) use of these products only. Tripp Lite reserves the right to determine whether the damage to the connected equipment is due to malfunction of the Tripp Lite product by requesting the equipment in question be sent to Tripp Lite for examination. This policy is above and beyond, only to the extent needed, of that provided by any coverage of connected equipment provided by other sources, including, but not limited to, any manufacturer's warranty and/or any extended warranties.

EXCEPT AS PROVIDED ABOVE, TRIPP LITE MAKES NO WARRANTIES, EXPRESS OR IMPLIED, INCLUDING WARRANTIES OF MERCHANTABILITY AND FITNESS FOR A PARTICULAR PURPOSE. Some states do not permit limitation or exclusion of implied warranties; therefore, the aforesaid limitation(s) or exclusion(s) may not apply to purchaser. **EXCEPT AS PROVIDED ABOVE, IN NO EVENT WILL TRIPP LITE BE LIABLE FOR DIRECT, INDIRECT, SPECIAL, INCIDENTAL OR CONSEQUENTIAL DAMAGES ARISING OUT OF THE USE OF THIS PRODUCT, EVEN IF ADVISED OF THE POSSIBILITY OF SUCH DAMAGE.** Specifically, Tripp Lite is not liable for any costs, such as lost profits or revenue, loss of equipment, loss of use of equipment, loss of software, loss of data, costs of substitutes, claims by third parties or otherwise. Coverage also does not apply to connected medical and industrial equipment.

To receive service under this warranty, you must be the original purchaser/user of the product in question. You must obtain a Returned Material Authorization (RMA) number from Tripp Lite. Products must be returned to Tripp Lite with transportation charges prepaid and must be accompanied by a brief description of the problem encountered and proof of date and place of purchase.



1111 W. 35th Street Chicago, IL 60609 USA • www.triplite.com/support

Manual del propietario

Supresore de Sobretensiones Protect It![®] con Puertos USB de Carga Dedicados

Modelo: TLP26USBB

Instrucciones de Seguridad Importantes	6
Descripción del Producto	6
Características del Producto	6
Instalación	7
Garantía Vitalicia Limitada	7
English	1
Français	8



1111 W. 35th Street Chicago, IL 60609 USA • www.tripplite.com/support

Copyright © 2014. Todos los derechos reservados. Protect It![®] es una marca registrada Tripp Lite.

Instrucciones de Seguridad Importantes



GUARDE ESTAS INSTRUCCIONES

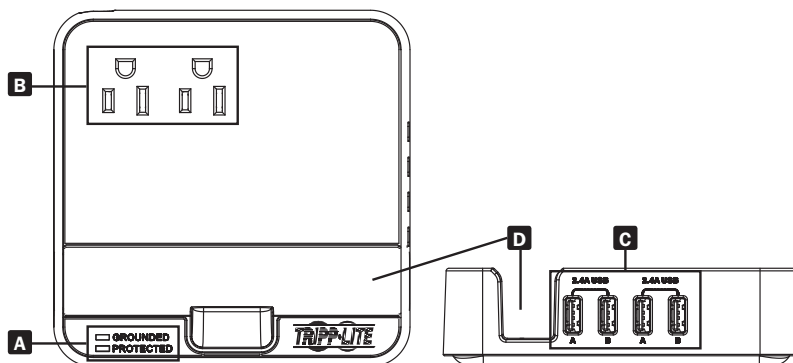
¡PRECAUCIÓN! NO lo conecte a una salida que no esté conectada a tierra. NO lo use con cordones de extensión de 2 conductores ni con adaptadores. Este supresor de sobretensiones está diseñado sólo para usarse bajo techo. Instale el supresor de sobretensiones lejos de dispositivos emisores de calor como radiadores o registros de calor. No lo instale donde haya excesiva humedad. No conecte cordones de extensión. Nunca instale ningún cableado eléctrico, telefónico, de red o coaxial durante una tormenta eléctrica. No taladre en ninguna parte de la cubierta ni la abra por ningún motivo. No hay partes que requieran mantenimiento por parte del usuario en su interior.

- El uso de este equipo en aplicaciones de soporte de vida en donde la falla de este equipo pueda razonablemente hacer suponer que causará fallas en el equipo de soporte de vida o afecte significativamente su seguridad o efectividad, no está recomendado. No use este equipo en la presencia de una mezcla anestésica inflamable con aire, oxígeno u óxido nítrico.

Descripción del Producto

El Supresor de Sobretensiones de Escritorio Protect It!® TLP26USBB incluye dos tomacorrientes siempre vivos y cuatro puertos USB de carga en un diseño pequeño y compacto. Un soporte empotrado incorporado acepta una tableta o teléfono inteligente para un acceso cómodo mientras lo carga.

Características del Producto



Parte Superior de la Unidad

Costado de la Unidad

- A Indicadores LED:** GROUNDLED se ilumina en rojo cuando la unidad está conectada a un tomacorriente correctamente conectado a tierra. PROTECTED se ilumina en verde cuando la unidad está protegiendo activamente los componentes conectados contra sobretensiones transientes.
- B Tomacorrientes NEMA 5-15R:** Dos tomacorrientes siempre vivos proporcionan energía y protección contra sobretensiones a dispositivos con clavijas de alimentación convencionales.
- C Puertos USB de Carga:** Cuatro puertos USB están colocados en dos juegos de dos. Cada juego de puertos es capaz de proporcionar 2.4 amperes de carga a tabletas, teléfonos inteligentes, reproductores MP3 y otros dispositivos electrónicos personales.
- D Soporte para Dispositivos:** Un soporte empotrado permite la cómoda colocación de una tableta o teléfono inteligente en la unidad cuando está conectada a un puerto USB de carga.

Instalación

Conecte su supresor de sobretensiones en la línea de corriente alterna: Conecte el cordón de alimentación del supresor en una salida estándar bipolar con toma de tierra de 120 V CA.

Compruebe las Luces Indicadoras de Diagnóstico de su Supresor de Sobretensiones antes de Conectar el Equipo: Los LEDs de diagnóstico indicarán diversas condiciones de operación cuando el supresor de sobretensiones esté conectado en un tomacorrientes activo de 120V CA.

LED "PROTECTED" (PROTEGIDO): Indica que los componentes de supresión de sobretensiones están intactos y proporcionando protección completa contra sobretensiones. Si este LED no se ilumina, algunos de los componentes del sistema de supresión de sobretensiones no están funcionando y la unidad debe ser reemplazada. Visite www.tripplite.com/support.

LED "GROUNDED" (TIERRA): Indica que la toma de corriente de pared está a tierra y que la protección contra sobretensiones funciona correctamente. Si hay energía eléctrica pero esta luz NO se enciende, pida a un electricista calificado que revise el cableado de su tomacorriente.

Conecte su equipo en las salidas de CA del supresor: Conecte los cordones de alimentación de su equipo (incluyendo dispositivos bipolares) en las salidas de CA del supresor. NO conecte cordones de extensión. NO SOBRECARGUE las salidas del supresor de sobretensiones. El supresor de sobretensiones puede acomodar una carga total de equipos de hasta 15 amperios (ya sea que estén conectados en una sola o en ambas salidas).

Garantía Vitalicia Limitada

El Vendedor garantiza que este producto, si se utiliza conforme a todas las instrucciones pertinentes, estará exento de defectos originales en el material y la fabricación durante toda su vida (en México: 25 años). Si el producto presenta algún defecto de material o fabricación dentro de ese plazo, el Vendedor lo reparará o sustituirá a su criterio exclusivo. El servicio bajo esta Garantía se ofrecerá sólo si usted entrega o envía el producto (habiendo pagado todos los gastos de flete o transporte) a: Tripp Lite, 1111 W. 35th St., Chicago, IL 60609, EE.UU. El Vendedor correrá con los gastos de envío del producto al cliente. Las garantías de todos los supresores de sobretensiones de Tripp Lite serán anuladas si estos supresores han sido conectados a los receptáculos de salida de cualquier sistema UPS. Las garantías de todos los Sistemas UPS de Tripp Lite serán anuladas si se ha conectado algún supresor de sobretensiones a los receptáculos de salida del sistema UPS en cuestión. ESTA GARANTÍA NO APLICA EN CASO DE DESGASTE NORMAL O DAÑOS QUE SE ORIGINEN DE ACCIDENTES, MALTRATO, ABUSO O NEGLIGENCIA. EL VENDEDOR NO OFRECE NINGUNA OTRA GARANTÍA EXPRESA APARTE DE LA QUE SE ENUNCIA EXPLÍCITAMENTE EN ESTE DOCUMENTO. SALVO HASTA DONDE LO PROHIBA LA LEY VIGENTE, LA DURACIÓN DE TODAS LAS GARANTÍAS IMPLÍCITAS, INCLUIDAS LAS DE COMERCIALIZACIÓN O IDONEIDAD, ESTÁ LIMITADA AL PLAZO ENUNCIADO ANTERIORMENTE. ESTA GARANTÍA EXCLUYE EXPRESAMENTE TODOS LOS PERJUICIOS FORTUITOS Y RESULTANTES. (Ya que algunas jurisdicciones no permiten imponer limitaciones a la duración de una garantía implícita o prohíben la exclusión o limitación de daños fortuitos o resultantes, puede que las limitaciones o exclusiones antedichas no rijan en todos los casos. Esta Garantía le otorga derechos legales específicos, y es posible que usted tenga otros derechos que dependen de la jurisdicción.)

ADVERTENCIA: Antes de usar este dispositivo el usuario es responsable de determinar si es idóneo, adecuado o inocuo para el uso previsto. Ya que cada aplicación está sujeta a enormes variaciones, el fabricante no ofrece ninguna representación o garantía respecto a la idoneidad o adaptabilidad de estos dispositivos para determinada aplicación.

La política de Tripp Lite es el mejoramiento continuo. Las especificaciones están sujetas a cambio sin previo aviso.

Cumplimiento de las normas de los números de identificación

Para fines de identificación y certificación del cumplimiento de las normas, su producto Tripp Lite tiene asignado un número de serie único. Puede encontrar el número de serie en la etiqueta de la placa de identificación del producto, junto con los símbolos de aprobación e información requeridos. Al solicitar información sobre el cumplimiento de las normas para este producto, siempre mencione el número de serie. El número de serie no debe ser confundido con el nombre de identificación ni con el número de modelo del producto.



1111 W. 35th Street Chicago, IL 60609 USA • www.tripplite.com/support

Manuel du propriétaire

Protect It![®] Parasurtenseurs avec ports de chargement USB dédiés

Modèle : TLP26USBB

Consignes de Sécurité Importantes	9
Description du produit	9
Caractéristiques du produit	9
Installation	10
Garantie a Vie	10
Police d'assurance garantie à vie totale	11
English	1
Español	5



1111 W. 35th Street Chicago, IL 60609 USA • www.tripplite.com/support

Copyright © 2014. Tous droits réservés. Protect It![®] est une marque de commerce enregistrée de Tripp Lite.

Consignes de Sécurité Importantes



CONSERVER CES DIRECTIVES

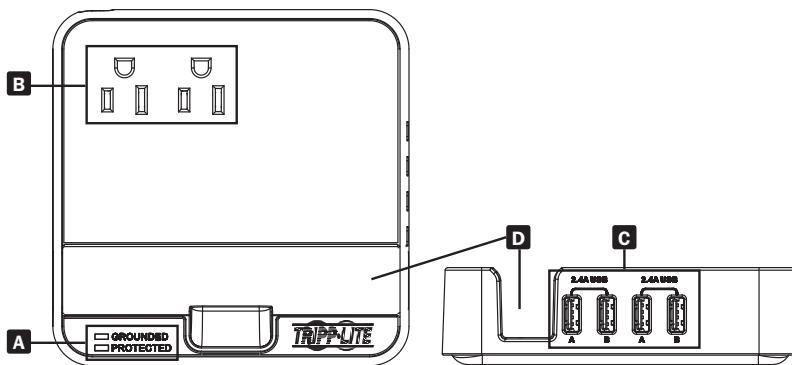
ATTENTION! NE PAS brancher sur une prise non mise à la terre. NE PAS utiliser de cordons prolongateurs ou d'adaptateurs à deux fils. Cet éliminateur de surtension est conçu pour être utilisé seulement à l'intérieur. Installer cet éliminateur de surtension loin d'appareils de chauffage comme des radiateurs ou des registres de chaleur. Ne pas installer en présence d'humidité excessive. Ne pas y brancher de cordons prolongateurs. Ne jamais faire l'installation de câblage électrique, téléphonique, réseau ou coaxial pendant un orage. Ne jamais percer une quelconque partie du boîtier ni ouvrir le boîtier. Aucune pièce interne ne peut être réparée par l'utilisateur.

- Il est déconseillé d'utiliser cet équipement dans des applications médicales où une panne de cet équipement pourrait normalement provoquer la panne de l'équipement de survie ou altérer notablement sa sécurité ou son efficacité. Ne pas utiliser cet équipement en présence d'un mélange anesthésique inflammable avec de l'air, de l'oxygène ou de l'oxyde nitreux.

Description du produit

Le parasurtenseur pour ordinateur de bureau TLP26USBB Protect It!® inclut deux prises d'alimentation non commutées et quatre ports de chargement USB dans une conception discrète et compacte. Un berceau intégré fournit un support à la verticale et d'accès pratique pour une tablette ou un téléphone intelligent durant leur chargement.

Caractéristiques du produit



Dessus de l'appareil

Côté de l'appareil

- A Témoins à DEL :** GROUNDED (MIS À LA MASSE) s'allume en rouge lorsque l'appareil est raccordé à une sortie correctement mise à la masse. PROTECTED (protégé) s'allume en vert lorsque l'appareil protège de façon active les composants branchés contre les pointes aléatoires.
- B Sorties NEMA 5-15R :** Deux sorties non commutées fournissent de l'alimentation et une protection contre les poussées aux appareils avec des fiches d'alimentation conventionnelles.
- C Ports de chargement USB :** Quatre ports USB sont organisés en deux groupe de deux. Chaque groupe de ports est capable de fournir une puissance de charge de 2,4 amp.; permettant le chargement de tablettes, téléphones intelligents, lecteurs MP3 et autres appareils électronique.
- D Berceau de l'appareil :** Une section avec berceau encastré permet de placer de façon pratique une tablette ou un téléphone intelligent dans l'appareil lorsque celui-ci est connecté à un port de chargement USB.

Installation

Brancher votre éliminateur de surtension sur le courant électrique : Brancher le cordon d'alimentation de l'éliminateur de surtension dans une prise standard 3 fils, mise à la terre, 120 V.

Vérifiez les témoins lumineux de diagnostic du parasurtenseur avant de brancher l'équipement : Les témoins à DEL de diagnostic vont indiquer les diverses conditions de fonctionnement lorsque le parasurtenseur est branché à une prise CA de 120 V sous tension.

Voyant DEL « PROTECTED » (PROTÉGÉ) : Indique que les composantes de l'éliminateur de surtension sont intactes et fournissent une protection complète contre les surtensions » Si ce voyant DEL n'est pas allumé, certaines composantes de l'éliminateur de surtension ne fonctionnent pas et il faut remplacer l'unité. Visitez www.tripplite.com/support.

Voyant DEL « GROUNDED » (MISE À LA TERRE) : Indique que la prise murale est mise à la terre et que la protection des surtensions peut fonctionner correctement. Si cette lumière N'EST PAS allumée et qu'il y a du courant, consultez un électricien qualifié pour examiner le filage de votre prise.

Brancher votre équipement aux prises c.a. de l'éliminateur de surtension : Branchez les cordons d'alimentation de votre équipement (y compris les appareils à deux fils) dans les prises c.a. de l'éliminateur de surtension. Ne pas y brancher de cordons prolongateurs. NE PAS SURCHARGER les prises de l'éliminateur de surtension. L'éliminateur de surtension peut accepter une charge totale d'équipement jusqu'à 15 amp (branché sur une seule ou les deux prises).

Garantie à Vie

Le Vendeur garantit ce produit à vie, s'il est utilisé conformément aux instructions applicables, contre tout défaut de matière et de main-d'oeuvre. Si le produit présente un défaut de matière ou de main-d'oeuvre pendant cette période, le Vendeur s'engage à le réparer ou à le remplacer, à sa discrétion. La réparation dans le cadre de la présente garantie ne peut être obtenue qu'en livrant ou en expédiant le produit (tous les frais d'expédition ou de livraison payés d'avance) à : Tripp Lite, 1111 W. 35th St., Chicago, IL 60609, USA. Le Vendeur s'engage à payer les frais d'expédition pour le renvoi du produit. Les garanties de tous les supprimeurs de surtensions subite de TRIPP LITE sont nulles si elles ont été reliées à la sortie de n'importe quel système d'UPS. Les garanties de tous les systèmes d'UPS de TRIPP LITE sont nulles si un supprimeur de surtensions subite a été relié à ses réceptacles de sortie. LA PRÉSENTE GARANTIE NE S'APPLIQUE PAS À L'USURE NORMALE OU AUX DOMMAGES RÉSULTANT D'UN ACCIDENT, D'UN MAUVAIS USAGE OU D'UNE NÉGLIGENCE. LE VENDEUR N'ACCORDE AUCUNE AUTRE GARANTIE EXPRESSE QUE CELLE MENTIONNÉE EXPRESSÉMENT DANS LA PRÉSENTE. TOUTES LES GARANTIES IMPLICITES, Y COMPRIS LES GARANTIES DE QUALITÉ MARCHANDE OU D'ADÉQUATION À UN USAGE PARTICULIER, SONT LIMITÉES À LA DURÉE DE LA PÉRIODE DE GARANTIE SUSMENTIONNÉE. LA PRÉSENTE GARANTIE EXCLUT EXPRESSÉMENT TOUS LES DOMMAGES FORTUITS ET INDIRECTS. (Certaines juridictions n'autorisent pas de limitation de la durée de la garantie implicite et d'autres l'exclusion ou la limitation des dommages fortuits ou indirects, les limitations et exclusions mentionnées ci-dessus peuvent ne pas s'appliquer à votre cas. La présente garantie vous donne des droits spécifiques et vous pouvez jouir d'autres droits qui varient d'une juridiction à une autre.)

AVERTISSEMENT : avant tout usage, l'utilisateur doit déterminer si le dispositif est adapté à l'emploi prévu et si, le cas échéant, il ne présente aucun danger. Comme les applications peuvent différer considérablement les unes des autres, le fabricant ne fait aucune déclaration ni n'accorde aucune garantie quant à l'adéquation de ces appareils à une application donnée.

La politique de Tripp Lite est en amélioration constante. Les caractéristiques sont susceptibles d'être modifiées sans préavis.

Numéros d'identification de conformité aux règlements

À des fins de certification et d'identification de conformité aux règlements, votre produit Tripp Lite a reçu un numéro de série unique. Ce numéro se retrouve sur la plaque signalétique du produit, avec les inscriptions et informations d'approbation requises. Lors d'une demande d'information de conformité pour ce produit, utilisez toujours le numéro de série. Il ne doit pas être confondu avec le nom de la marque ou le numéro de modèle du produit.

Police d'assurance garantie à vie totale (c'est une garantie limitée valable aux É.-U. et au Canada uniquement.)

Tripp Lite garantit, pour la durée de vie du produit, (à la discrétion de Tripp Lite) de réparer ou de remplacer (sur une base prorata) l'équipement endommagé par des transitoires tandis qu'il était correctement branché à des produits Tripp Lite offrant la police d'assurance garantie à vie totale. Les transitoires d'alimentation comprennent les pointes et les surtensions du secteur, des lignes de transmissions de données ou de téléphone, dont ils doivent être protégés les produits Tripp Lite conçus à cet effet (tel qu'avéré par les normes de l'industrie). Pour que la garantie s'applique, il est nécessaire de se conformer aux quatre paragraphes suivants; le non respect de ces exigences annulera la garantie.

Transitoires sur le secteur : Pour faire un réclamation de dommages, le produit Tripp Lite doit être branché dans une prise correctement câblée avec mise à la terre. Aucun cordon prolongateur ni autre branchement électrique ne doit être utilisé. L'installation doit être conforme à tous les codes applicables d'électricité et de sécurité établis par le code électrique national (NEC). À l'exception des dispositions ci-dessus, cette garantie ne couvre aucun dommage à l'équipement électronique correctement branché résultant d'une cause autre qu'une "transitoire de secteur". Si l'utilisateur satisfait aux exigences ci-dessus, Tripp Lite réparera ou remplacera (à la discrétion de Tripp Lite) l'équipement jusqu'à sa valeur spécifiée (Voir les limites de la police d'assurance garantie à vie totale). Aucune couverture n'est admise pour les dommages entrant par les lignes de téléphone ou de transmission de données à moins qu'elles ne soient protégées séparément, tel que décrit ci-dessus.

Transitoires sur les lignes de téléphone et de transmission de données : Tripp Lite réparera ou remplacera un équipement directement branché, endommagé par des transitoires sur des lignes de téléphone et/ou de transmission de données, seulement si ces accès sont protégés par des produits de protection Tripp Lite et que la ligne du secteur est simultanément protégée par un appareil de protection de secteur de Tripp Lite (onduleur, parasurtenseur ou filtre de secteur) avec une couverture de police d'assurance garantie à vie totale. Les appareils branchés en aval sur une ligne supplémentaire de téléphone et/ou transmission de données doivent disposer de leurs propres protecteurs.

Le remboursement (en dollars) sera limité à la valeur du protecteur de secteur de Tripp Lite. La couverture est exclue là où un environnement adéquat pour l'appareil de protection n'est pas fourni, y compris, mais sans y être limité, l'absence d'une mise à la terre sécuritaire. L'équipement téléphonique doit également inclure un appareil de « protection primaire » correctement installé et en état de marche à l'entrée du service téléphonique (de tels appareils sont normalement ajoutés lors de l'installation d'une ligne téléphonique).

Toutes les garanties ci-dessus sont nulles et non avenues si le produit Tripp Lite a été mal installé, modifié ou transformé d'une quelconque manière ou si l'équipement branché n'a pas été utilisé dans des conditions normales d'opération ou conformément à l'étiquetage ou aux directives. Toutes réclamations dans le cadre de cette garantie doivent être soumises par écrit à Tripp Lite dans les trente (30) jours après l'événement ou la réclamation ne sera pas prise en compte. Cette garantie n'inclut pas les dommages résultant d'accident ou de mauvaise utilisation et s'applique seulement à l'usage nord-américain (États-Unis et Canada) de ces produits. Tripp Lite se réserve le droit de déterminer si les dommages à l'équipement branché sont dus à une défaillance du produit Tripp Lite en exigeant que l'équipement en question soit envoyé à Tripp Lite pour examen. Cette police s'ajoute, dans la mesure nécessaire, à toute couverture de l'équipement branché fournie par d'autres sources, y compris, mais sans y être limité, à toute garantie du fabricant et/ou à toutes garanties prolongées.

A L'EXCEPTION DES DISPOSITIONS CI-DESSUS, TRIPP LITE N'OFFRE AUCUNE GARANTIE, EXPRESSE OU IMPLICITE, Y COMPRIS DES GARANTIES DE QUALITÉ COMMERCIALE OU D'ADAPTATION À UNE UTILISATION PARTICULIÈRE Certains états n'autorisent pas de restriction ni d'exclusion de la garantie implicite; conséquemment, les restrictions ou exclusions susmentionnées peuvent ne pas s'appliquer à l'acheteur. **À L'EXCEPTION DES DISPOSITIONS CI-DESSUS, TRIPP LITE NE POURRA EN AUCUN CAS ÊTRE TENUE RESPONSABLE DE DOMMAGES DIRECTS, INDIRECTS, SPÉCIAUX OU FORTUITS DÉCOULANT DE L'UTILISATION DE CE PRODUIT, MÊME SI L'UTILISATEUR A ÉTÉ AVISÉ DU RISQUE DE TELS DOMMAGES.** En particulier, Tripp Lite ne pourra être tenue responsable de frais quelconques, comme la perte de bénéfices ou de recettes, la perte d'équipement, la perte d'usage de l'équipement, la perte de logiciel, la perte de données, les frais de remplacement et les réclamations d'un tiers ou autre. La couverture ne s'applique pas non plus à l'équipement branché s'il est médical ou industriel.

Pour obtenir un service dans le cadre de cette garantie, vous devez être l'acheteur ou l'utilisateur initial du produit. Vous devez obtenir un numéro d'autorisation de retour de matériel (RMA) auprès de Tripp Lite. Les produits doivent être retournés à Tripp Lite, frais de port prépayés, et doivent être accompagnés d'une brève description du problème et d'une preuve d'achat mentionnant la date et le lieu.



1111 W. 35th Street Chicago, IL 60609 USA • www.tripplite.com/support