

**Warranty  
Registration:**

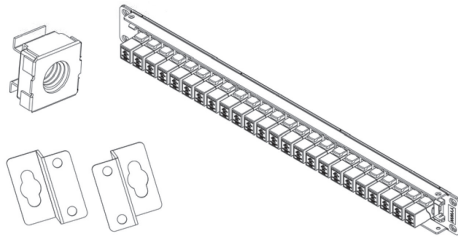
register online today for a  
chance to win a FREE Tripp Lite  
product—[www.tripplite.com/warranty](http://www.tripplite.com/warranty)



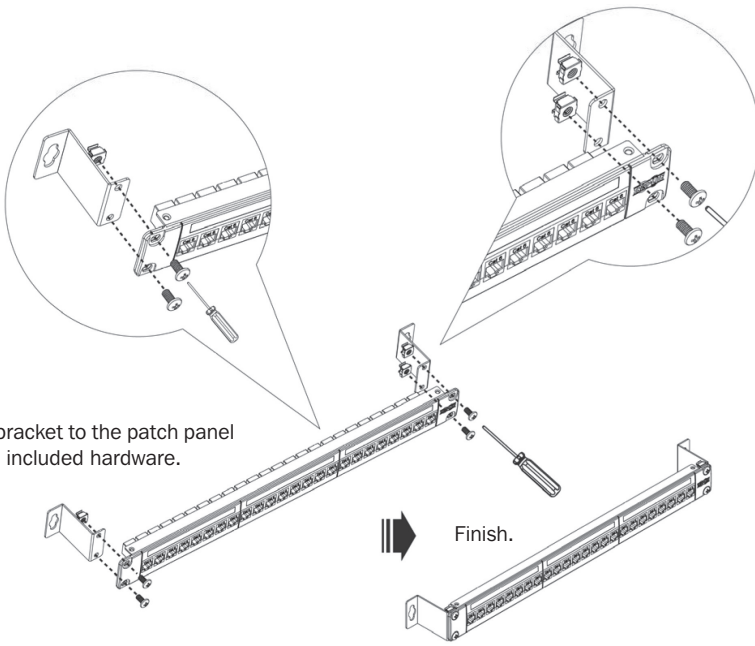
# Quick Start Guide

## 24-Port Cat6 Feed-Through Patch Panel

Model: N250-024-LP



### Installation



Affix the bracket to the patch panel  
using the included hardware.

Finish.



Manufacturing  
Excellence.  
Since 1922.

1111 W. 35th Street • Chicago, IL 60609 USA  
[www.tripplite.com/support](http://www.tripplite.com/support)

Copyright © 2012 Tripp Lite. All rights reserved.

201202224 93-3165