

Instruction Sheet

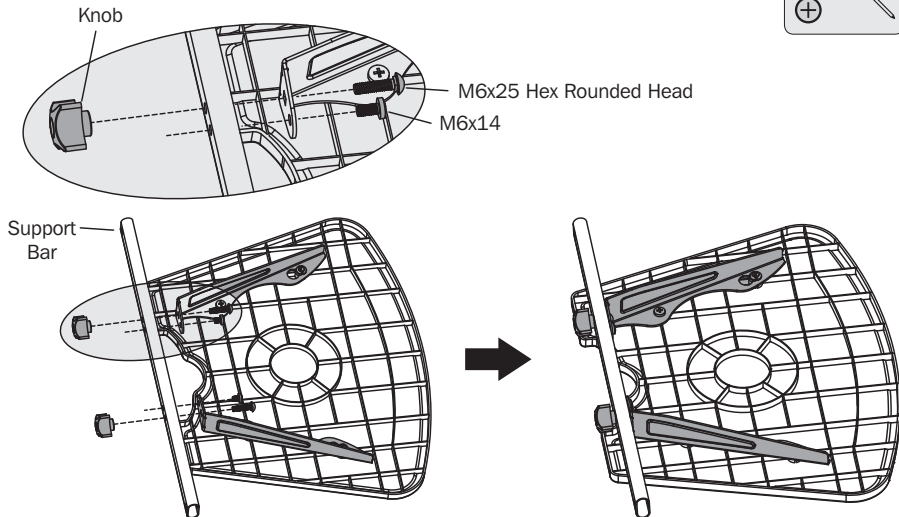
DVD Shelf Assembly

(Page 7, Step 6 of Owner's Manual
for Mobile Floor Stand)

Model: DMCS60100XX

6. Assemble the DVD Shelf

Note: Battery box should be installed before the DVD shelf is attached.



TRIPP·LITE



1111 W. 35th Street, Chicago, IL 60609 USA • triplite.com/support

Copyright © 2020 Tripp Lite. All rights reserved.

20-02-373 93-306E_revA