

# Installation Guide

## Wire Basket Cable Trays

### Models:

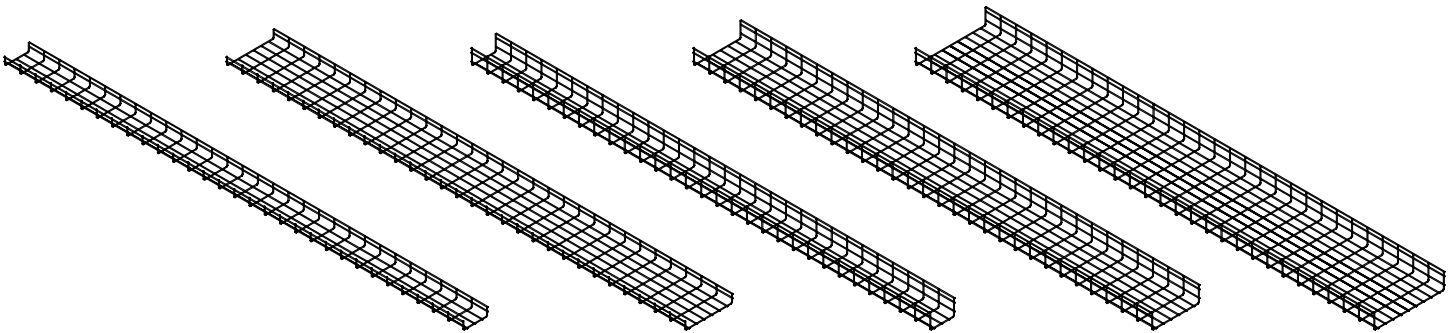
**SRWB6210STR**  
(AC8AFB)

**SRWB12210STR**  
(AC8AFC)

**SRWB6410STR**  
(AC8AFD)

**SRWB12410STR**  
(AC8AFE)

**SRWB18410STR**  
(AC8AFF)



Este guía esta disponible en español  
en la página de Tripp Lite:  
[www.tripplite.com/support](http://www.tripplite.com/support)

Ce guide est disponible en français  
sur le site Web de Tripp Lite :  
[www.tripplite.com/support](http://www.tripplite.com/support)

Русскоязычная версия настоящего  
краткого руководства представлена  
на веб-сайте компании Tripp Lite по  
адресу: [www.tripplite.com/support](http://www.tripplite.com/support)

### Important Safety Instructions

#### SAVE THESE INSTRUCTIONS

This manual contains instructions and warnings that should be followed during the installation and use of all Tripp Lite Wire Mesh Cable Tray systems. Failure to heed these warnings may affect your warranty.

- Installation should only be performed by a qualified installer and in accordance with all national and local electrical and building codes.
- Always wear eye protection when cutting basket tray wire sections.
- Cut edges may be sharp. Exercise caution when handling trimmed basket tray during fabrication and installation.



1111 W. 35th Street, Chicago, IL 60609 USA • [www.tripplite.com/support](http://www.tripplite.com/support)

Copyright © 2019 Tripp Lite. All rights reserved.

# Preparation and Fabrication

## Wire Tray Models and Dimensions

Before proceeding with fabrication, first confirm your wire tray model and dimensions.

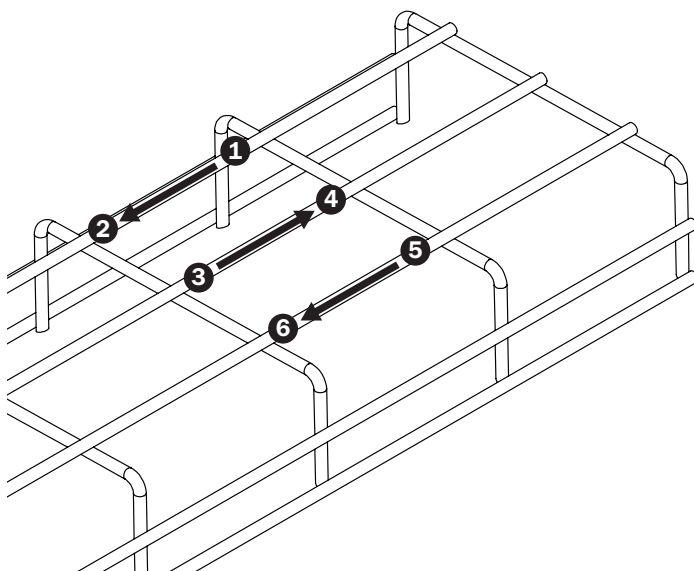
Model	Sectional View	Height	Width	Depth
SRWB6210STR		2 in. (50 mm)	6 in. (150 mm)	10 ft. (3000 mm)
SRWB12210STR		2 in. (50 mm)	12 in. (300 mm)	10 ft. (3000 mm)
SRWB6410STR		4 in. (100 mm)	6 in. (150 mm)	10 ft. (3000 mm)
SRWB12410STR		4 in. (100 mm)	12 in. (300 mm)	10 ft. (3000 mm)
SRWB18410STR		4 in. (100 mm)	18 in. (450 mm)	10 ft. (3000 mm)

## How to Cut Wire Trays

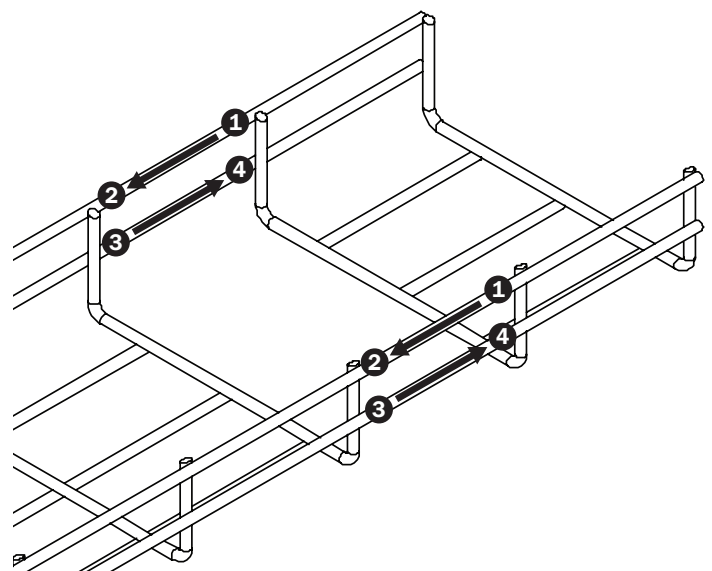
### Notes:

- Always use side-action bolt cutters.
- Angle all cuts away from the new end.
- Cut each wire with one clean cut whenever possible.
- Remove any sharp edges to eliminate possible damage to cables.

**Cut the bottom wires first** with the underside of the tray facing up in the order as shown:



**To cut the side wires**, flip the wire tray over and cut in the order shown, starting from the top:



Repeat as needed. For various wire cutting patterns and installation diagrams, refer to the documentation included with the connectors and connector kits (sold separately).

